

ROHL

Authentic Luxury for Kitchen and Bath®

www.rohlhome.com



PERRIN & ROWE® 3-HOLE MODIFIED C-SPOUT LAVATORY FAUCET

Perrin & Rowe®

U.3860LS-2 (Lever Handles)

FEATURES

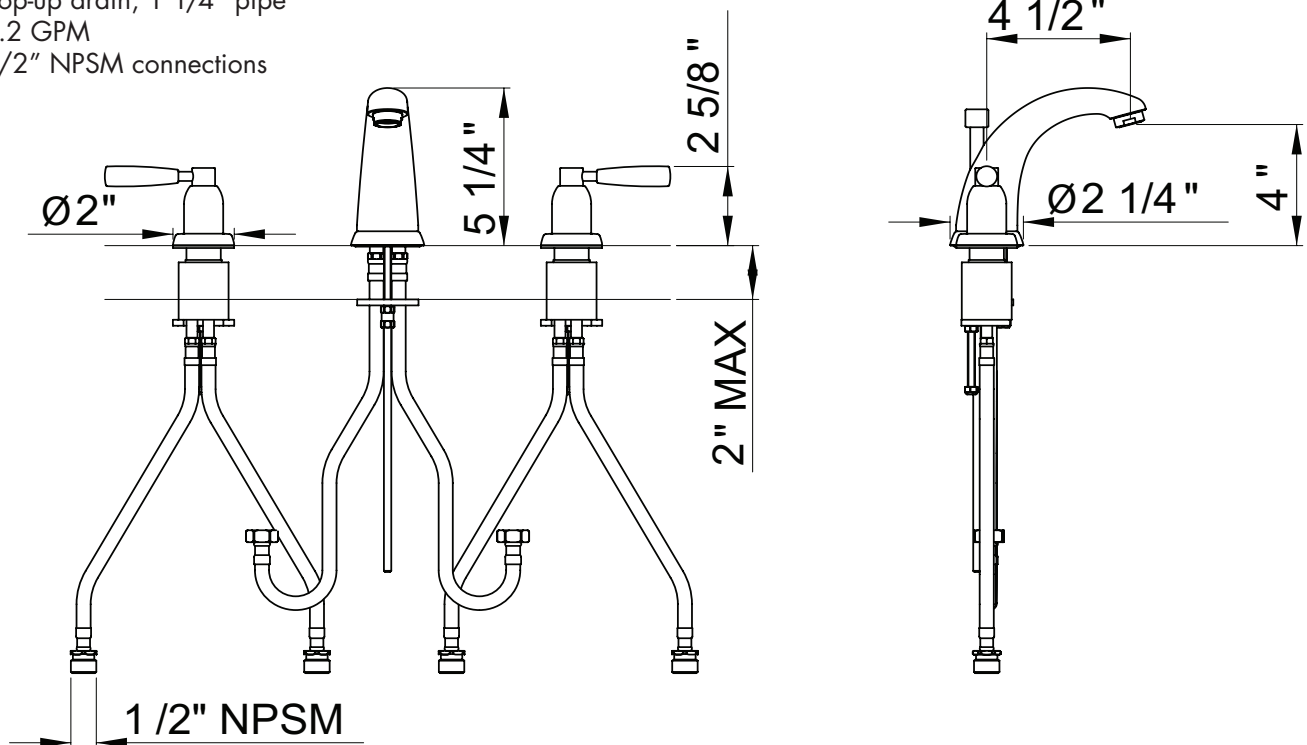
- Fixed spout
- Spout, valve housing, handles and pop-up made from solid brass
- 4 1/2" spout reach
- 3 x 1 3/8" hole cutouts
- 1/4-turn ceramic disc valves
- Unique handle fixing clip, engineered to increase the life of the valve
- Innovative valve hose connection, complete with flexible stainless steel hose
- Pop-up drain, 1 1/4" pipe
- 1.2 GPM
- 1/2" NPSM connections

COLORS/FINISHES

- Polished Chrome
- Polished Nickel
- Satin Nickel

WARRANTY

- Limited Lifetime



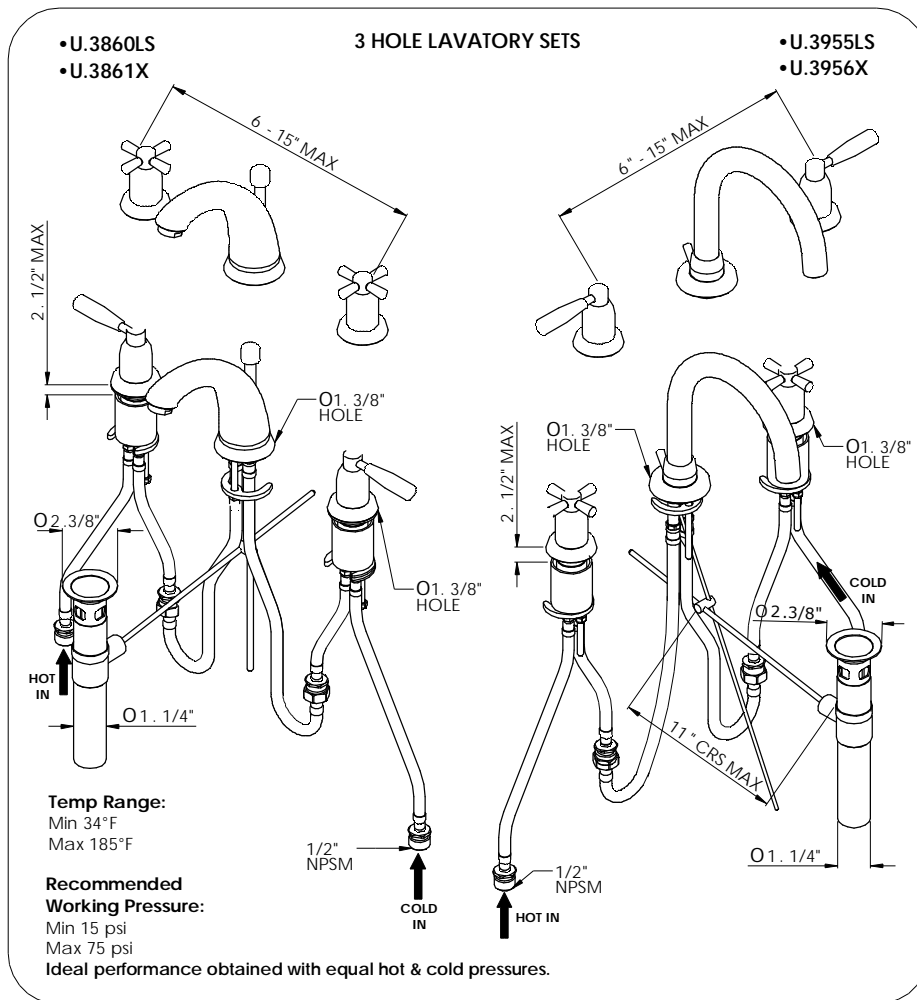
Consult your local ROHL showroom for additional information and specifications. For complete warranty details and a list of showrooms, go to www.rohlhome.com.

INSTALLATION INSTRUCTIONS



The Transitional Bathroom Collection

Installation & User Guide



INSTALLATION INSTRUCTIONS

The Transitional Bathroom Collection Installation & User Guide

Congratulations on the purchase of your Perrin & Rowe bathroom product. Correctly installed and with sensible care, this product will give you many years of trouble free service.

IMPORTANT INFORMATION

Before you proceed... We recommend you engage the services of a registered plumber to install this product.

In addition to the guide below it is essential that the written information overleaf is carefully read and understood.

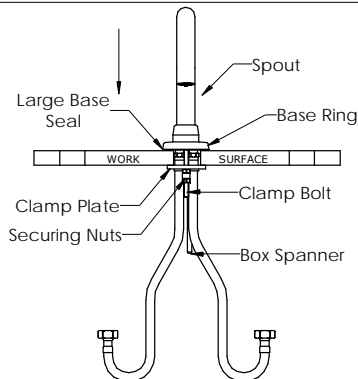
Flush the plumbing system before installation.

Preparation for the installation.

Flush the pipework before installing this tapware.

Once unpacked remove large & small base seals, rosette, hood & lever, securing nut, clamp plate, pop-up and top waste ready for installation.

1



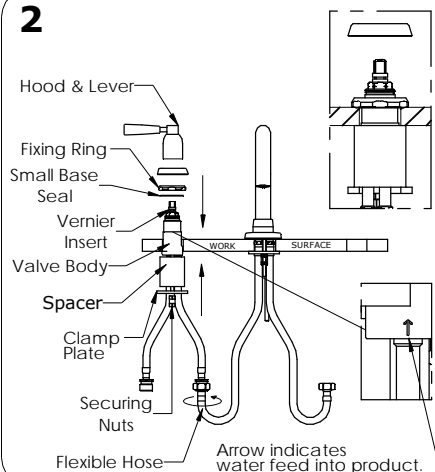
SPOUT

- Assemble the spout by placing the hoses through the Ø1. 3/8" hole in the work surface, ensuring the base ring & rubber seal are in place.
- Place clamp plate and securing nut onto the clamp bolt, tighten with spanner provided to underside of work surface.

Secure spout with supplied Box Spanner.

Ensure all connections are firmly tightened

2



To assemble side valve remove cover, handle, rosette, fixing ring & base seal. Ensure the securing nuts, clamp plate & spacer are around the valve body. Place the valve body up through the work surface hole.

For correct alignment ensure that top of fixing ring is level with top of valve body.

Ensure connection for flexible hose are facing towards the spout.

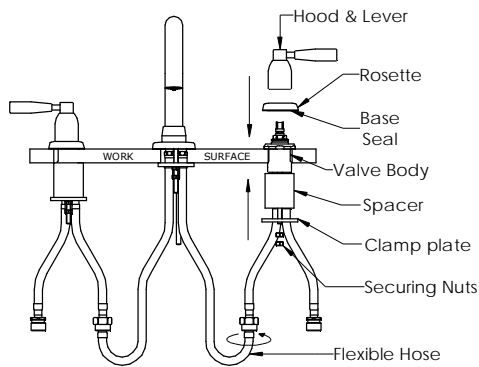
Before screwing down the hood & lever please make sure orientation of levers is correct. Slide the hood & lever over the top of valve body just enough to see if it is correctly orientated. Correct orientation can be achieved by removing and turning the vernier insert.

Screw the securing nuts using the box spanner up to the underneath of the clamp plate. Connect flexible hose as shown.

Spacer ring to be used in installations where work surface thickness ranges from 1/8" to 1.7/8".

INSTALLATION INSTRUCTIONS

3

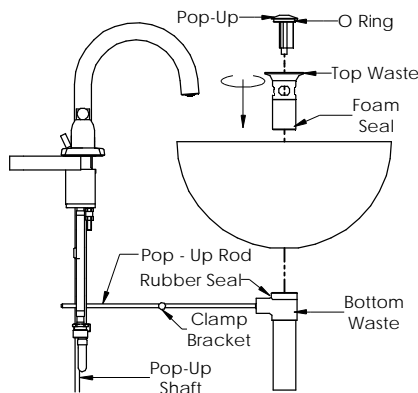


Connect flexible hose as shown.

Connect HOT & COLD water supplies to the side valve inlets.

Ensure all connections are firmly tightened.

4



Adjusting Sink Waste

- Ensure that pop-up shaft is in position alongside pop-up rod.
- Shaft and rod can be cut if space is restricted.
- Secure pop-up using clamp bracket.
- Adjust position of clamp bracket to achieve maximum movement of pop-up shaft.
- Place pop-up into waste and adjust movement of pop-up shaft.

Please Note: Ceramic disc valves are fitted as standard to this mixer. Flow from FULLY OFF to FULLY ON is achieved by rotating the handles a quarter turn.

BEFORE USE

- Carefully check the installation for leaks.
- If further building work is to be carried out in the vicinity, cover the product to avoid damaging the finish.
- Please ensure that the installation complies with local plumbing codes.

CARE & MAINTENANCE

- Occasional cleaning with warm soapy water, followed by a polish with a soft cloth is all that is required to keep the plated finish in good condition.
- If you wish to occasionally polish your tap and it has a Chrome, Nickel or Pewter finish, we recommend a gentle metal cleaner such as AUTOSOL metal polish, which is available from hardware and automotive parts stores.
- **Do not use any cleaners on Gold or English Bronze taps.**
- **Do not use proprietary abrasive liquids, powders, or pads to clean the product. You will damage the plated finish and void your warranty.**

INSTALLATION INSTRUCTIONS

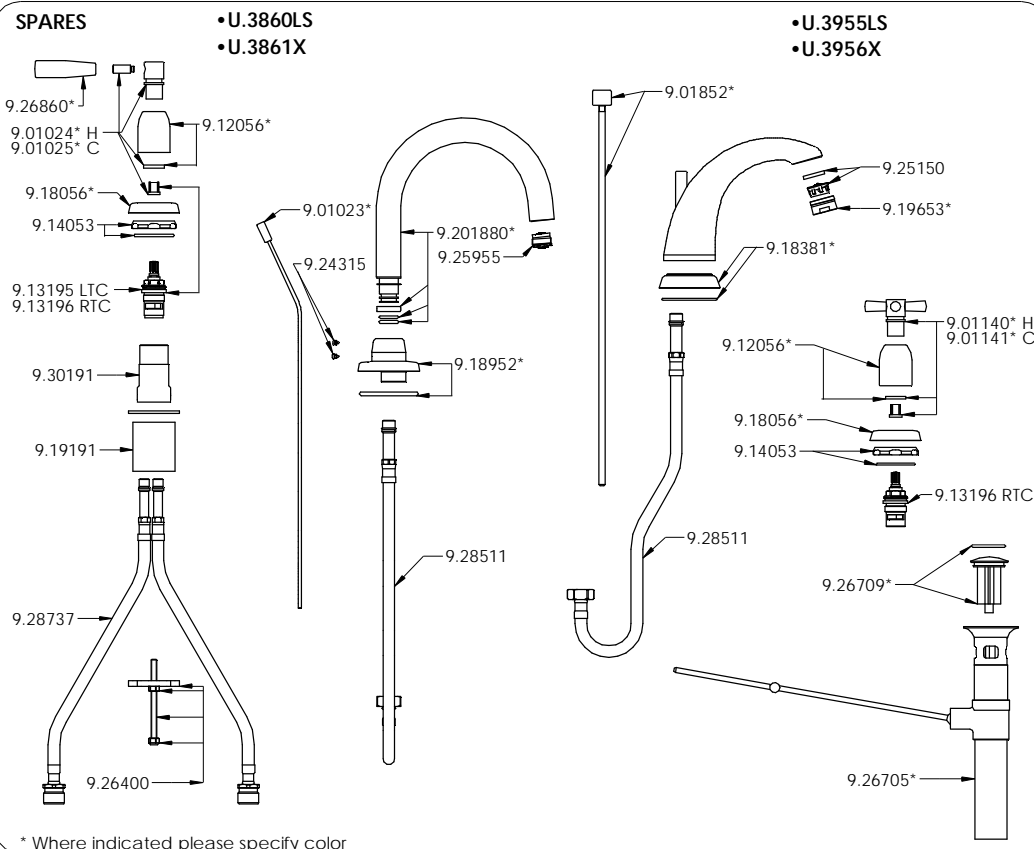
ROHL WARRANTY POLICY

All products supplied by ROHL carry warranties against manufacturing defects.

Perrin & Rowe products carry a Limited Lifetime Warranty.

ROHL LLC will provide free of charge, as its options, replacement part(s) or product (or a comparable alternative product) to replace those which have proven defective in materials or workmanship.

For full ROHL LLC WARRANTY please contact ROHL or visit www.rohlhome.com



SPARE PARTS & SERVICE

ROHL

Authentic Luxury for Kitchen and Bath®
3 Parker
Irvine
CA 92618
(714) 557-1933

www.rohlhome.com

Perrin & Rowe products are manufactured in the UK, using the latest technology and built to the highest quality standards.

We would like to thank you for purchasing a Perrin & Rowe product and take this opportunity to invite you to look at other luxury products by us. Please contact us to receive our latest catalogue.