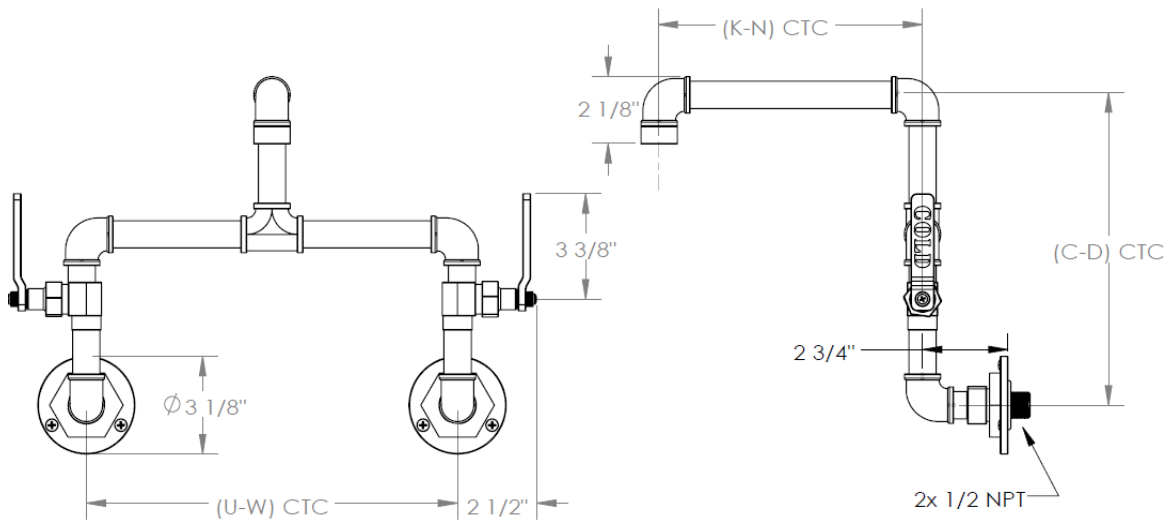


38-2.25- - - -EV4
Bridge Wall Mount Faucet

C=8"
 D=10"

 K=5.5"
 L=6.5"
 M=7.5"
 N=8.5"

 U=8"
 V=12"
 W=18"



Meets the applicable requirements of ASME A112.18.1-2005/CSA B125.1-05, entitled "Plumbing Supply Fittings"

WATERMARK DESIGNS 11/3/2014

350 Dewitt Ave Brooklyn NY 11207 USA T 718 257 2800 F 718 257 2144 info@watermark-designs.com