



# Duo

### Available Sizes:

60"L x 48"W x 19"D  
60 Gallons

66"L x 42"W x 19"D  
62 Gallons

66"L x 48"W x 19"D  
65 Gallons

72"L x 48"W x 19"D  
68 Gallons



Duo

### Acrylic Tub – construction features

**Acrylic** models finished in 1/8" thick layer of deep lustrous acrylic.

**Extra thick** reinforced fiberglass.

**Pre-wired** pump on pump platform (standard pump location only)

**Integral E-Z Level** platform facilitates installation.

**Non-skid** bottom.

### PVC Systems – include:

**6 or 8 Fully** directional adjustable PVC jets

**Anti-vortex** safety suction.

**Color matched** system trim

**HydrOzone** ozone sanitation system

**Rigid PVC** piping

**Self draining** pump and system

**Soft Touch** electronic on/off control with 30-min. integral timer

**2.25 HP** Single Speed Pump

**Cable** waste & overflow

### Hydro Systems – Options:

**Chromatherapy-LED Mini Spotlights**

**Mood Light**

**Grab Bars**

**Back Masseur**

**Neck Masseur Pillow**

**Hydro Fragrance**

**Hydro Fusion**

**Hydro Coat**

**Hydro Express quick ship**

**Chromatherapy-LED Mini Spotlights**

**Mood Light**

**Grab Bars**

**Back Masseur**

**Neck Masseur Pillow**

**Hydro Fragrance**

**Hydro Fusion**

**Hydro Coat**

**Hydro Express quick ship**

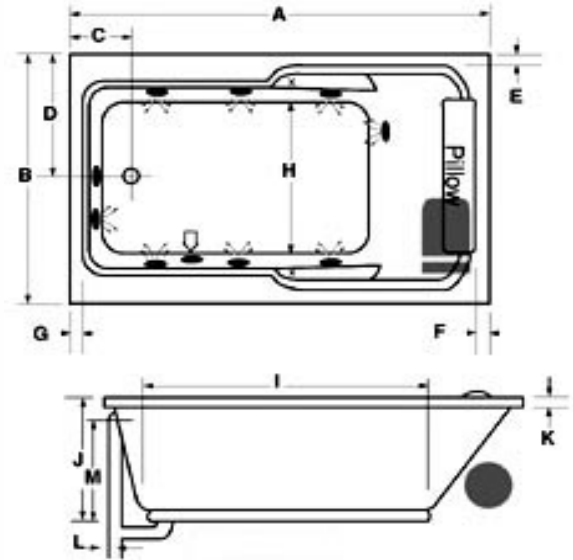
### Approvals & Listings


Commonwealth of Massachusetts  
UPC & USPC - US & Canada





Must be set in mortar base.



-  Pump motor
-  Jets
-  Anti-vortex suction

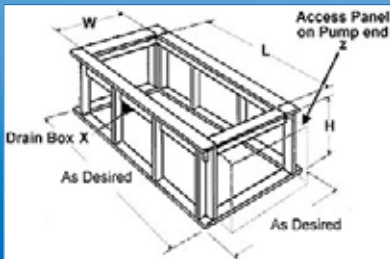
**AS SHOWN:**  
Whirlpool option w/ standard jets

**ALSO AVAILABLE:**  
Soaking Tub Only, Thermal Air, Combo

Model	GC	AC	A	B	C	D	E	F	G	H	I	J	K	L	M	Jet	Pump	Wat.Cap.
6048	✓	✓	60"	48"	8"	24"	2"	2"	2½"	32"	40"	17½"	1¼"	1½"	15"	8	2.25	65 gal.
6642	✓	✓	66"	42"	8"	21"	1¾"	2"	2½"	27"	46"	19"	1¼"	1¼"	16½"	8	2.25	70 gal.
6648	✓	✓	66"	48"	8"	24"	2"	2"	2½"	32"	46"	19"	1¼"	1¼"	16½"	8	2.25	80 gal.
7248	✓	✓	72"	48"	8"	24"	2"	2"	2½"	32"	52"	19"	1¾"	1¾"	16½"	8	2.25	95 gal.
<b>Amp</b>	<b>Volt</b>	<b>Breaker</b>		<b>Dedicated Service</b>														
13.5	120	20 amp		GFCI Protected														

**Framing Dimensions**

Model	Island Drop-In			3 Wall Enclosure		
	(L)ength	(W)idth	(H)eight Finish	(L)ength	(W)idth	(H)eight Ledger - Molded Flange
6048	58"	46"	18¼"	60"	48"	19¾"
6642	64"	40"	18¼"	66"	42"	19¾"
6648	64"	46"	18¼"	66"	48"	19¾"
7248	70"	46"	18¼"	72"	48"	19¾"



*Disclaimer: Certain options or altering the pump/blower location may cause the pump/blower to extend beyond the tub decking.  
 For cutout dimensions wait for unit to arrive. All specifications subject to change without notice.*

