

HYDE

METRO COLLECTION



AVAILABLE SIZES

- 68.34.24

WATER CAPACITY

- 97 Gallons

WEIGHT

- 335 Pounds

BACK SLOPE

- 28°

MATERIAL

- Hydroluxe Solid Surface

STANDARD COLORS

- White, Biscuit, Bone

PREMIUM COLORS

- Red, Black, Graphite

FINISH

- Matte, Polished, Two-Tone

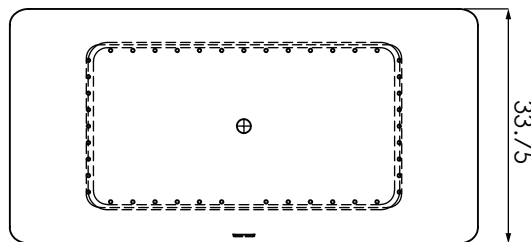
WARRANTY

- 10 years



OPTIONS

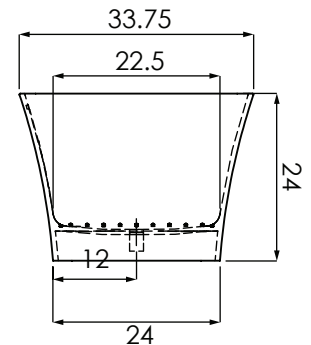
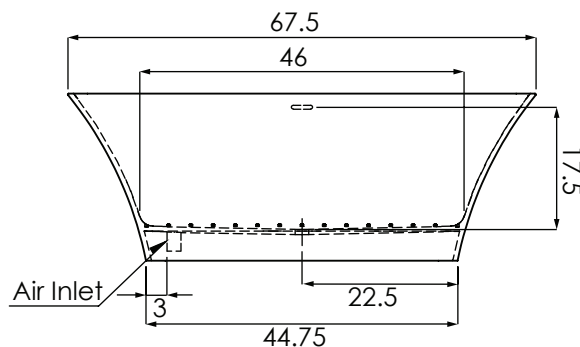
- Air System
 - Blower and Control Panel must be remotely located
 - Electrical Requirements
 - 1 20 AMP dedicated GFI
- Tower
- Internal Overflow (Standard)



OVERFLOW IS INTEGRAL TO THE TUB

EACH BACKREST HAS A LUMBAR SUPPORT

TUB SHOWN WITH AIR SYSTEM



CODES AND COMPLIANCES

Massachusetts code File no: P1-0614-491



HYDRO SYSTEMS
Family Owned And Operated Since 1978

29132 Avenue Paine, Valencia, CA, 91355
661.775.0686 | hydrosystem.com

All specifications and options subject to change without notice please contact a hydro systems representative for more information.