

# DOMINGO 6636

MAESTRO COLLECTION



THE MAESTRO COLLECTION

## AVAILABLE SIZES

- 66.36.23

## WATER CAPACITY

- 75 Gallons

## WEIGHT

- 145 Pounds - Tub Only
- 175 Pounds - Thermal Air

## BACK SLOPE

- 21°

## MATERIAL

- Acrylic and Fiberglass

## STANDARD COLORS

- White, Almond, Biscuit, Bone

## PREMIUM COLORS

- Black, Mexican Sand, Cashmere, Red, Linen, Sandbar, Sterling Silver, Ice Gray

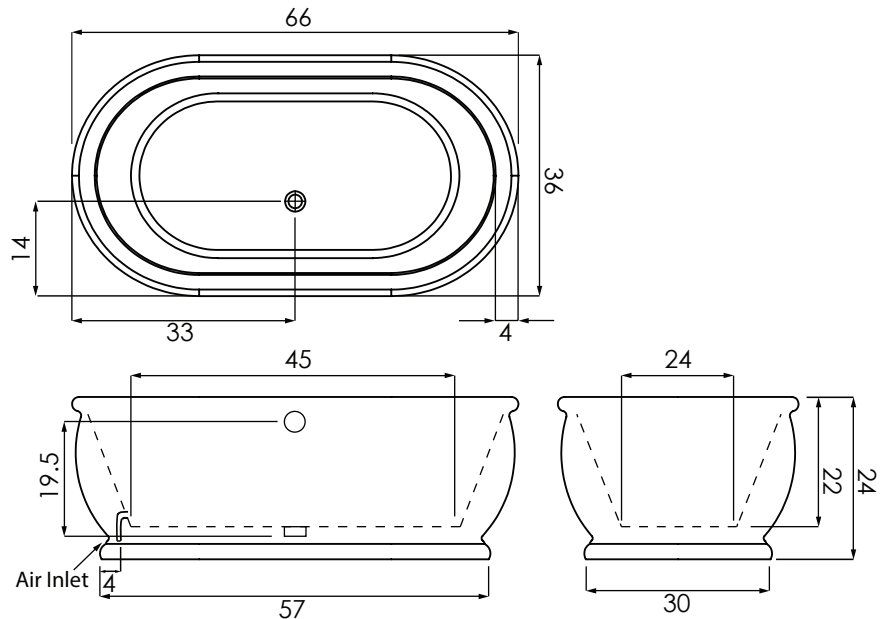
## WARRANTY

- 99/9 year



## OPTIONS

- Thermal Air
  - 1 -20 AMP dedicated GFI
  - Blower must be remotely located
- Extra High Density Fiberglass
- Chromotherapy-LED Mini Spotlights
- Chromotherapy- LED Lighting System
- Grab Bars
- Linear Overflow
  - Available in multiple finishes
- Remote Control
- Tower



## CODES AND COMPLIANCES

Massachusetts code File no: P1-0614-491



**HYDRO SYSTEMS**  
Family Owned And Operated Since 1978

29132 Avenue Paine, Valencia, CA, 91355  
661.775.0686 | hydrosystem.com

All specifications and options subject to change without notice please contact a hydro systems representative for more information.