

# DAVINCI

## MAESTRO COLLECTION



THE MAESTRO COLLECTION

### AVAILABLE SIZES

- 70.36.25

### WATER CAPACITY

- 100 Gallons

### WEIGHT

- 195 Pounds - Tub Only
- 220 Pounds - Thermal Air

### BACK SLOPE

- 23°

### MATERIAL

- Acrylic and Fiberglass

### STANDARD COLORS

- White, Almond, Biscuit, Bone

### PREMIUM COLORS

- Black, Mexican Sand, Cashmere, Red, Linen, Sandbar, Sterling Silver, Ice Gray

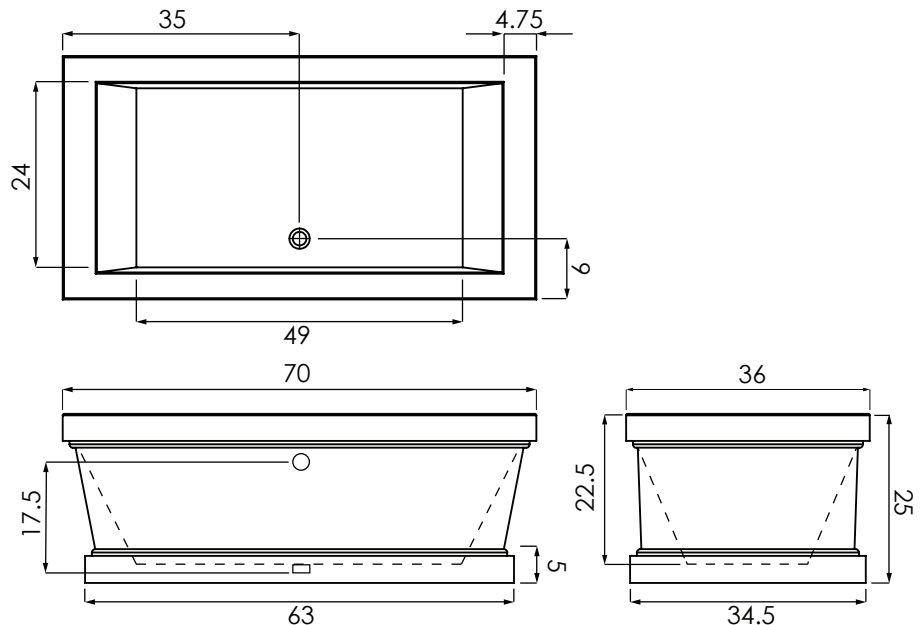
### WARRANTY

- 99/9 year



### OPTIONS

- Thermal Air
  - 1 -20 AMP dedicated GFI
  - Blower must be remotely located
- Extra High Density Fiberglass
- Chromatherapy-LED Mini Spotlights
- Chromatherapy- LED Lighting System
- Grab Bars
- Linear Overflow
  - Available in multiple finishes
- Remote Control
- Tower



### CODES AND COMPLIANCES

Massachusetts code File no: P1-0614-491



**HYDRO SYSTEMS**  
Family Owned And Operated Since 1978

29132 Avenue Paine, Valencia, CA, 91355  
661.775.0686 | hydrosystem.com

All specifications and options subject to change without notice please contact a hydro systems representative for more information.