

# CHEYENNE 6636

DESIGNER COLLECTION

H | S

## TUB INCLUDES:

- Integral waste and overflow
- Concealed drain



Designed with an elongated bathing well, the Cheyenne is an ideal choice for either undermount or deck installations. The striking tub provides a welcome respite for one or two. Visit <http://www.hydrosystem.com> for more details on our options and accessories.



## OPTIONS

- \*Grab Bars
- \* Chromatherapy-LED Lighting System
- Chromatherapy-LED Mini Spotlights
- Microban Antibacterial Protection
- Blower location
- Mood Light
- Hydro Coat
- Hydro Express quick ship



**HYDRO SYSTEMS**  
Family Owned And Operated Since 1978

29132 Avenue Paine, Valencia, CA, 91355  
661.775.0686 | [hydrosystem.com](http://hydrosystem.com)

\* Indicates options that are shown (listed in order from top to bottom/  
left to right)

# CHEYENNE 6636



DESIGNER COLLECTION

**AS SHOWN:**

Tub Only

**FEATURES SHOWN:**

- Drain location

**ALSO AVAILABLE:**

- Soaking tub only
- Thermal Air

**SIZE:**

66.36.20

**WATER CAPACITY:**

75 Gallons

**WEIGHT:**

110 -130 Pounds

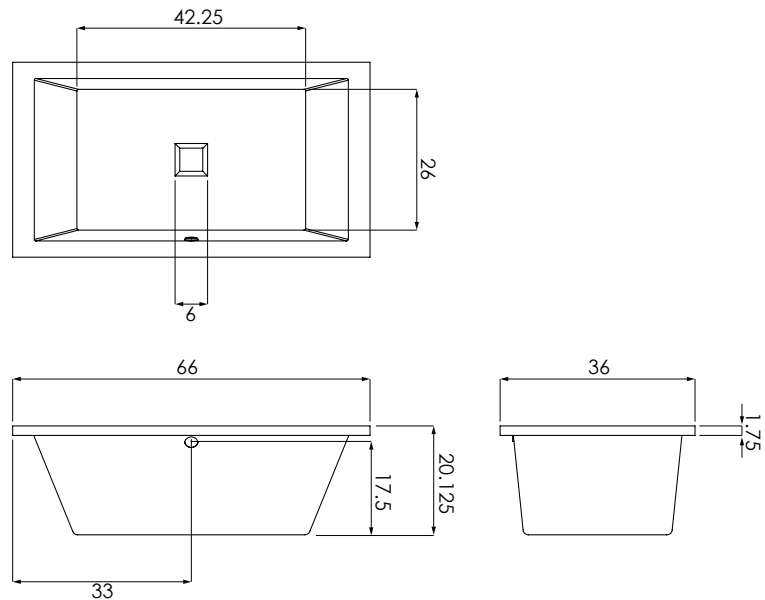
**MODEL 7248 DIMENSIONS:**

- (L)ength- 66"
- (W)idth- 36"
- (H)eight Finish- 20"



**ACRYLIC TUB**

- Acrylic models finished in 1/8" thick layer of deep lustrous acrylic
- Extra thick reinforced fiberglass
- Integral E-Z level platform facilitates installation
- Integral waste and overflow



**CODES AND COMPLIANCES**

Massachusetts code File no: P1-0614-491



**HYDRO SYSTEMS**  
Family Owned And Operated Since 1978

29132 Avenue Paine, Valencia, CA, 91355  
661.775.0686 | hydrosystem.com

All specifications and options subject to change without notice please contact a Hydro Systems representative for more information. Certain options or altering the pump/blower location may cause the pump/blower to extend beyond the tub decking. For cutout dimensions wait for unit to arrive. All specifications subject to change without notice.