

CASEY 6638

DESIGNER COLLECTION

H | S

AIR BATH SYSTEMS INCLUDE:

- HydroOzone ozone sanitation system
- Soft Touch electronic on/off control with 30-minute integral times
- 1 HP variable speed blower
- Requires 20 Amp Dedicated GFCI
- Integral waste and overflow



Designed with an elongated bathing well and deck with its graceful curved lip, the free standing Casey provides a welcome respite for one or two. Visit <http://www.hydrosystem.com> for more details on our options and accessories.



OPTIONS

- *Grab Bars
- *Integral waste and overflow (linear)
- *Chromatherapy-LED Lighting System
- Chromatherapy-LED Mini Spotlights
- Microban Antibacterial Protection
- Extra high density fiberglass
- Custom blower locations
- Integral waste and overflow (circular)
- Armrests available
- Mood Light
- Hydro Coat
- Hydro Express quick ship



HYDRO SYSTEMS
Family Owned And Operated Since 1978

29132 Avenue Paine, Valencia, CA, 91355
661.775.0686 | hydrosystem.com

* Indicates options that are shown (listed in order from top to bottom/
left to right)

CASEY 6638

H|S

DESIGNER COLLECTION

As SHOWN:

Tub only

ALSO AVAILABLE:

- Soaking tub only
- Thermal Air

SIZE:

66.38.19½

WATER CAPACITY:

50 Gallons

WEIGHT:

100 -15 Pounds

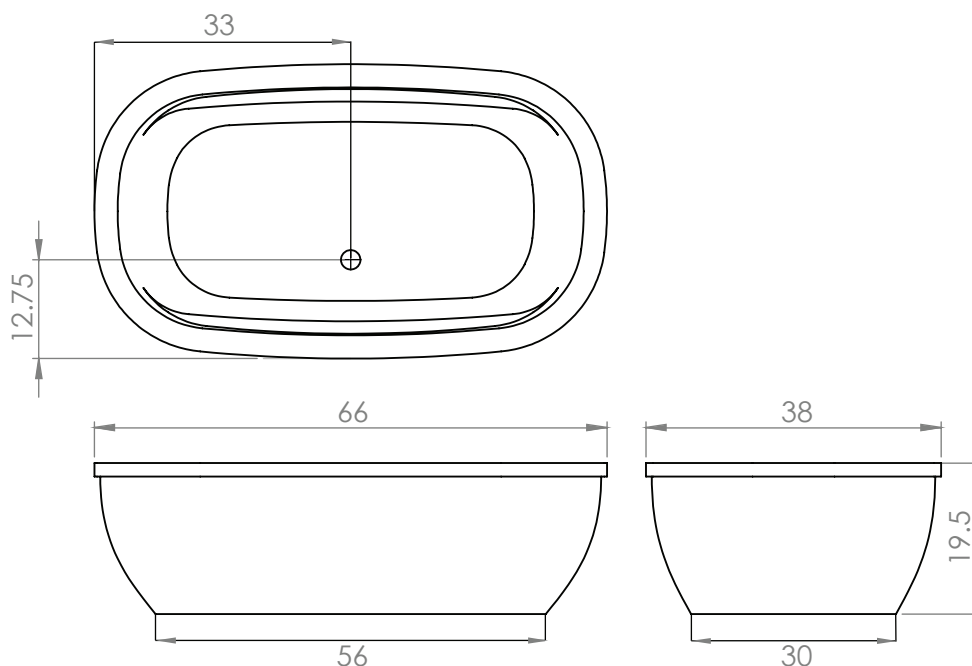
MODEL7248 DIMENSIONS:

- (L)ength- 66"
- (W)idth- 38"
- (H)eight Finish- 19½"



ACRYLIC TUB

- Acrylic models finished in 1/8" thick layer of deep lustrous acrylic
- Extra thick reinforced fiberglass



CODES AND COMPLIANCES

Massachusetts code File no: P1-0614-491



HYDRO SYSTEMS
Family Owned And Operated Since 1978

29132 Avenue Paine, Valencia, CA, 91355
661.775.0686 | hydrosystem.com

All specifications and options subject to change without notice please contact a Hydro Systems representative for more information. Certain options or altering the pump/blower location may cause the pump/blower to extend beyond the tub decking. For cutout dimensions wait for unit to arrive. All specifications subject to change without notice.