

**PVC SYSTEMS INCLUDE:**

- 6 Fully directional adjustable PVC jets
- Anti-vortex safety suction
- Color matched system trim
- HydroOzone ozone sanitation system
- Rigid PVC piping
- Self draining pump and system
- Soft Touch electronic on/off control with 30-minute integral times
- 2.25 HP single speed pump
- Cable waste and overflow
- Requires 20 Amp Dedicated GFCI (standard whirlpool only)



A majestic tub with style and appeal, the crisp lines and oval shape design of the Carli capture a unique design and feel. The Carli is a bold tub that makes a statement. Visit <http://www.hydrosystem.com> for more details on our options and accessories.



**OPTIONS**

- \*Grab Bars
- \*Integral waste and overflow (linear)
- \*Chromatherapy-LED Lighting System
- Chromatherapy-LED Mini Spotlights
- Microban Antibacterial Protection
- Extra high density fiberglass
- Custom jet and pump locations
- Armrests available
- Plated Metallic finish
- Additional directional Jets
- Swirling, Rotating, or Jumbo Jets
- Micro Therapy Jet
- Integral waste and overflow (circular)
- 1.5 HP Variable Speed Pump (digital temperature display optional)
- Electronic low water protection
- In-line heater
- Mood Light
- Back Masseur
- Neck Masseur Pillow
- Hydro Fragrance
- Hydro Fusion
- Hydro Coat
- Hydro Express quick ship

**As SHOWN:**

Whirlpool option with standard jet location

**FEATURES SHOWN:**

- Jets
- Drain location
- Overflow location

**ALSO AVAILABLE:**

- Soaking tub only
- Whirlpool
- Thermal Air
- Combo

**SIZE:**

60.36.19

**WATER CAPACITY:**

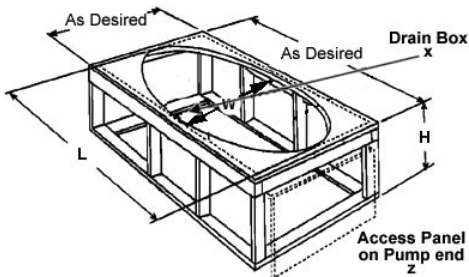
45 Gallons

**WEIGHT:**

85 Pounds

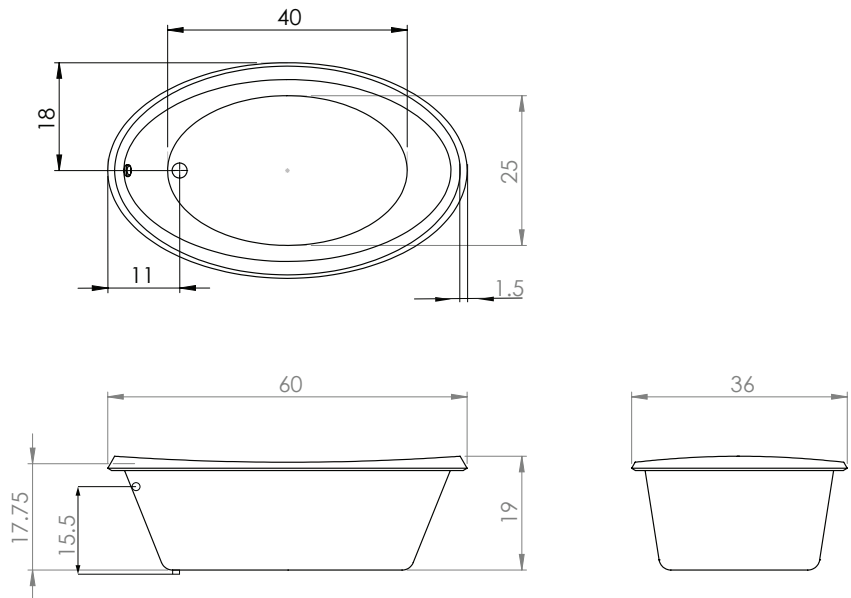
**MODEL 7248 DIMENSIONS:**

- (L)ength- 60"
- (W)idth- 36"
- (H)eight Finish- 19"



**ACRYLIC TUB**

- Acrylic models finished in 1/8" thick layer of deep lustrous acrylic
- Extra thick reinforced fiberglass
- Pre-wired pump on pump platform (standard pump location only)
- Integral E-Z level platform facilitates installation



**CODES AND COMPLIANCES**

Massachusetts code File no: P1-0614-491

