



PRODUCT SHEET

SPECIFICATIONS

**B1313P
Sculptured Metals**



Patterns Available:
Plain

Dimensions:

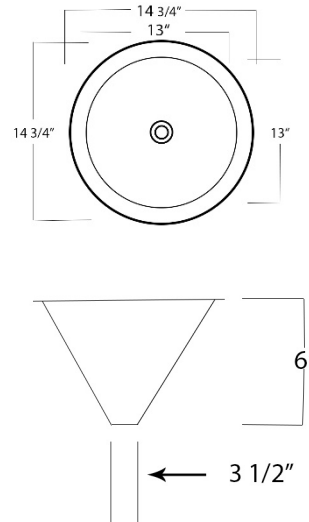
Outside: 14 3/4" Dia.
Inside: 13" Dia.
Inside Depth: 6"

Finishes:

Antique Brass
Antique Nickel
Nickel Silver
Polished Brass
Satin Brass
Satin Nickel

Material:

Brass



OPTIONS

	Yes	No
Self-Rimming		STANDARD
Under Counter	X	
Special Rim		X
Euro-edge	X	
1 1/4" Drain		STANDARD
1 1/2" w/ Over Flow Drain	X	
2 1/2" Jr. Basket Strainer	X	
Specify Faucet Drilling		X

T 818.882.6028 F 818.700.1540 www.alnoinc.com

IMPORTANT: These basins are hand crafted. We recommend you wait for basin before making your counter top cut-out. All dimensions are approximate.

