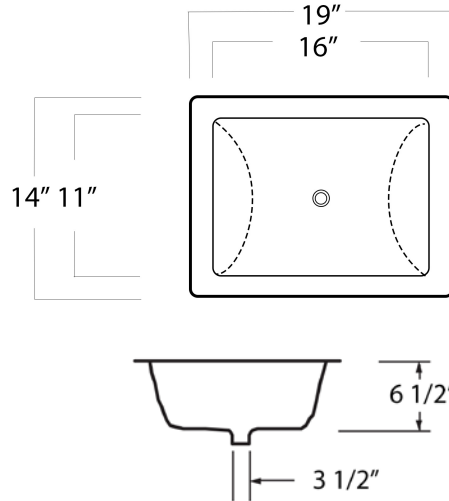




PRODUCT SHEET

SPECIFICATIONS

**B1116P
Sculptured Metals**



Patterns Available:

Plain

Dimensions:

Outside: 14 3/4" X 19"
 Inside: 11" x 16"
 Inside Depth: 6 1/2"

Finishes:

Antique Brass
 Antique Nickel
 Nickel Silver
 Polished Brass
 Satin Brass
 Satin Nickel

Material:

Brass

OPTIONS

	Yes	No
Self-Rimming	STANDARD	
Under Counter	X	
Special Rim		X
Euro-edge	X	
1 1/4" Drain	STANDARD	
1 1/2" w/ Over Flow Drain	X	
2 1/2" Jr. Basket Strainer	X	
Specify Faucet Drilling		X

T 818.882.6028 F 818.700.1540 www.alnoinc.com

IMPORTANT: These basins are hand crafted. We recommend you wait for basin before making your counter top cut-out. All dimensions are approximate.

