

ROHL.

Authentic Luxury for Kitchen and Bath®

www.rohlhome.com



MODERN ARCHITECTURAL SIDE LEVER PRO PULL-DOWN KITCHEN FAUCET

ROHL Modern Kitchen

LS64L-2

FEATURES

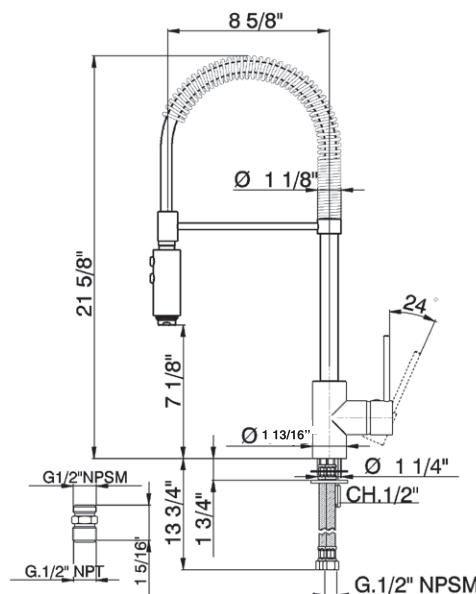
- Metal lever only
- Dual spray modes
- Brass construction
- 1 3/4" max. installation depth on deck
- 1/4-turn ceramic disc control cartridge
- 8 5/8" reach C-spout
- Spout is fixed, metal hose, handspray and spring swivel
- 1.8 GPM
- Requires 2 1/2" clearance from backsplash to center of faucet hole
- Handspray locks into spray mode

COLORS/FINISHES

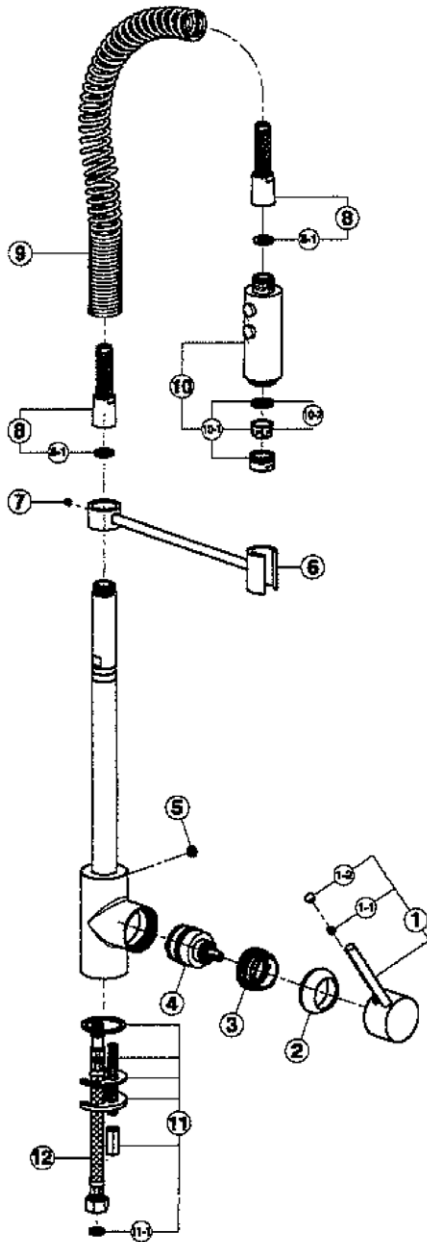
- Polished Chrome
- Polished Nickel
- Satin Nickel

WARRANTY

- Limited Lifetime



SPARE PARTS



POS.	DESCRIPTION	CODE
1	Lever "LS"	ZZ 94363 0
1-1	Screw - stainless steel M.6x6	ZZ 92645 0
1-2	Cap for lever	ZZ 93347 0
2	Escutcheon cartridge	ZZ 93351 0
3	Nut for mixing valve	ZZ 93363 0
4	Mixing valve	ZZ 93196 0
5	Cap for lever	ZZ 92711 0
6	Support for handspray	ZZ 94979 0
7	Screw - stainless steel M.5x5	ZZ 94980 0
8	Flex G.1/2" x G.1/2"	ZZ 94981 0
8-1	Gasket for flex	ZZ 94982 0
9	Spring	ZZ 94983 0
10	Handspray	ZZ 94419 0
10-1	Mousseur M.24x1 IA	ZZ 92836 0
10-2	Mousseur cartridge M.24x1	ZZ 92695 0
11	Installation set single hole	ZZ 92899 0
11-1	Gasket for flex	ZZ 92696 0
12	Flex.M11x1	ZZ 94368 0

INSTALLATION INSTRUCTIONS

TECHNICAL DATA

- Minimum dynamic pressure7,25 PSI
- Maximum operational pressure (static)145 PSI
- Recommended operational pressure (static)14,5-72,5 PSI
- (N.B.: for pressures higher than 72,5 PSI we suggest the installation of a pressure reducer)
- Maximum test pressure (static)232 PSI
- Maximum hot water temperature176°F
- Suggested hot water temperature140°F (for energy saving)
- Flow ratemax 1,8 gpm 60psi

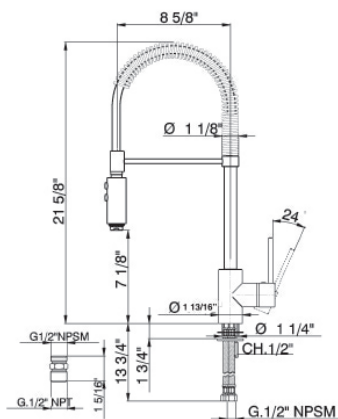
PRESSURE	FLOW RATE
7,25 psi	1 gpm
14,50 psi	1,5 gpm
29,00 psi	1,8 gpm
43,50 psi	1,8 gpm
58,00 psi	1,8 gpm
72,50 psi	1,8 gpm

PRELIMINARY INFORMATION

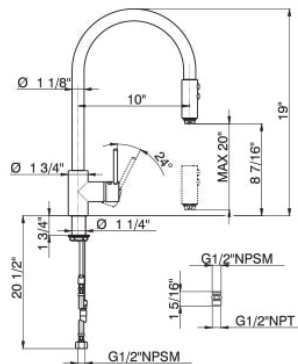
Mixers of the KITCHEN series are fit for operating with hot water collectors under pressure, instantaneous and gas water-heaters.

ATTENTION: *the connection with hot water collectors without pressure (with open circuit) is not possible.*

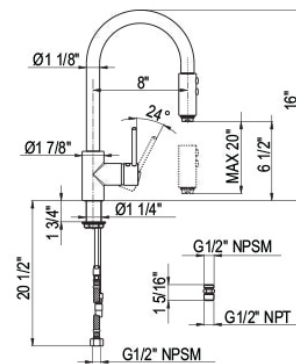
NOTE: All installations require a 2 1/2" clearance from backsplash to center of hole drilling



LS64



LS57



LS59

INSTALLATION INSTRUCTIONS

INSTALLATION (ref. Fig. 1-2)

- Screw the hoses (1) to the mixer using an 11 mm wrench positioning it in the appropriate milled slots.
- **IMPORTANT:** during assembly operations of hoses **ABSOLUTELY NEVER TAKE GRIP** of the bushes of hoses with Allen wrenches or adjustable pliers that damaging them would damage to the safety of the installation.
- Screw the fastening rod (2).
- Fix the mixer to the ceramics
- (3) Safe ceramics packing
- (4) Shaped packing of black rubber
- (5) Fixing clamp
- (6) Hexagonal nut wrench 1/2".
- Assemble the handshower's holder (9), paying attention that the red little stamp (15) is turned downwards. Place the holder in the chosen position and tighten the pin (8).
- Screw down the flexible hose (11), placing the gasket (10) between the flexible hose and the connection.
- Mount the spring (12) on the flexible hose.
- Screw down the handshower (14) on the flexible hose (11), placing the gasket (13) between the handshower and the flexible hose.
- Connect the mixer to the installation; tightening the nuts by a 3/4" wrench (Insert the gaskets (7) between the nuts and the water pipes).
- Open the water pipes and check the tightness of the connections and the proper functioning of the mixer (maximum test pressure 16 bar static).

REPLACEMENT OF THE MIXING VALVE WITH CERAMIC DISCS (ref. Fig. 3)

- Close the hot water and cold water inlets.
- Remove the plate for covering the hole (16) and unscrew the locking pin (17) using a hexagonal wrench of 3 mm
- Remove the lever and the cap (18) pulling upwards.
- Unscrew the caps (19) with the 11/4" wrench and remove the mixing valve (20).
- Insert the new mixing valve verifying that no dirt is left between the plane surface and the gaskets.
- Screw the caps (20) by **DYNAMOMETRIC WRENCH** applying a screwing torque of 10Nm.
- Insert the cap and reassemble the lever.

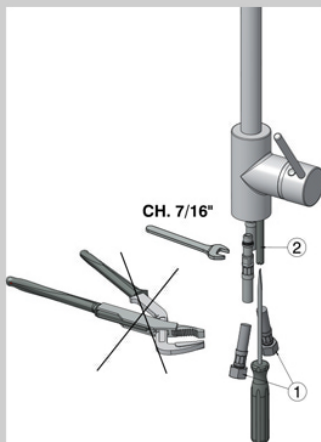


fig.1

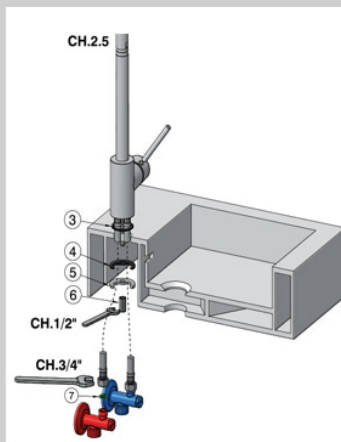


fig.2

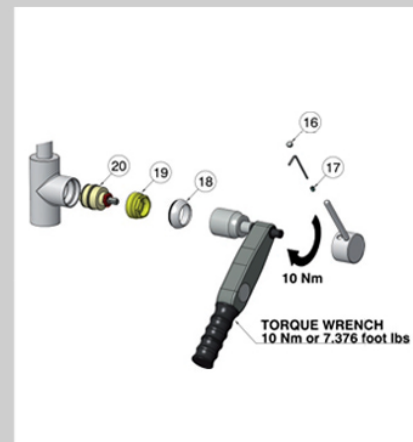


fig.3

INSTALLATION INSTRUCTIONS

WARRANTY

Country Bath Arcana Collection has a limited lifetime warranty.

“Warranty Exclusion: This warranty is for normal domestic use only and excludes defect or injury caused by or resulting from misuse, abuse, neglect, accident damage or improper installation”.

There is no warranty on the finish Tuscan Brass

FINISH CARE

1. WIPE DOWN AFTER USE TO AVOID SPOTTING
2. USE A SOFT BRUSH FOR DETAIL CLEANING
3. DO NOT USE SPRAY CLEANERS WITH AMMONIA, ALCOHOL OR BLEACH
4. DO NOT USE ABRASIVES LIKE COMET, AJAX OR BONAMI

FINISH	CLEANING	CARE
CHROME	50-50 VINEGAR AND WATER	FLITZ WAX OR GAGNON, SIMICHROME
INCA BRASS	50-50 VINEGAR AND WATER	DO NOT USE FLITZ – GAGNON OK
POLISHED NICKEL	50-50 VINEGAR AND WATER	FLITZ WAX OR GAGNON, SIMICHROME
SATIN NICKEL	50-50 VINEGAR AND WATER	FLITZ WAX OR GAGNON
TUSCAN BRASS	PAT DRY AFTER USE	FLITZ WAX. DO NOT RUB OR WIPE.

FOR WATER SPOTTING ON CHROME, POLISHED NICKEL OR SATIN NICKEL, USE SIMICHROME PASTE.