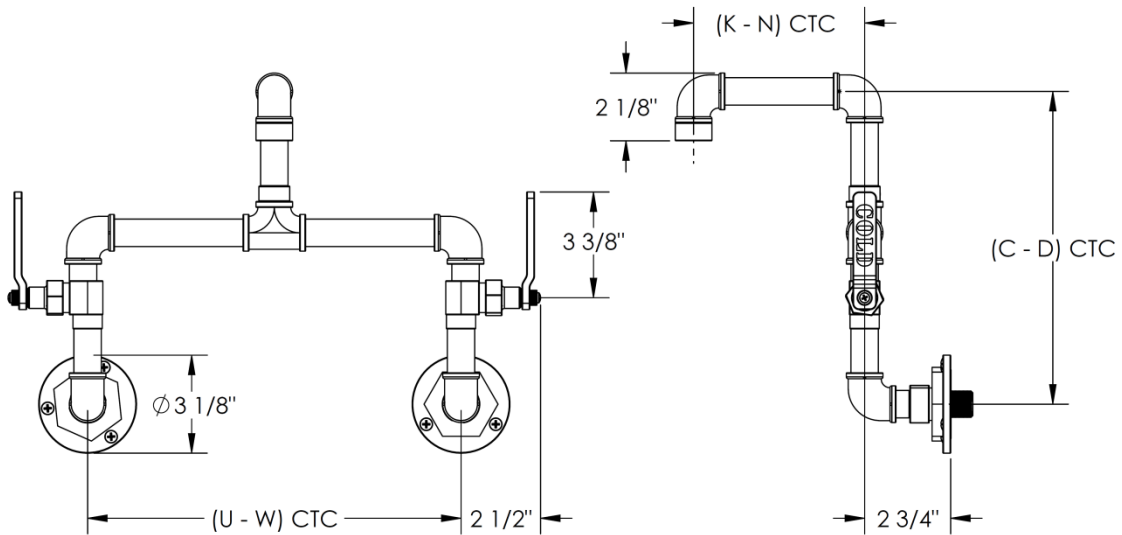


38-7.7- - -EV4
Bridge Wall Mount Kitchen Faucet

C=8"
 D=10"

 K=5.5"
 L=6.5"
 M=7.5"
 N=8.5"

 U=8"
 V=12"
 W=18"



Meets the applicable requirements of ASME A112.18.1-2005/CSA B125.1-05, entitled "Plumbing Supply Fittings"