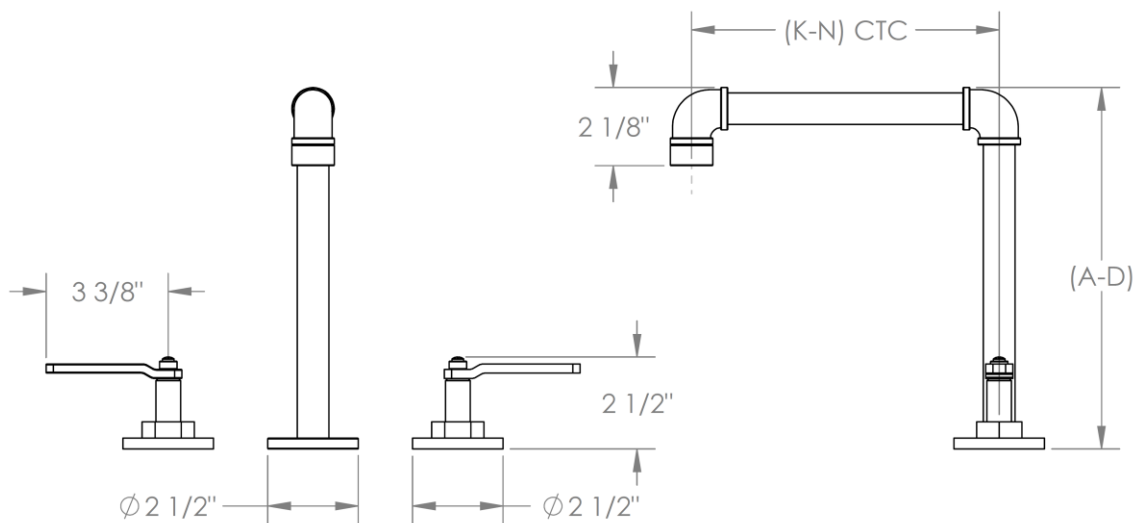
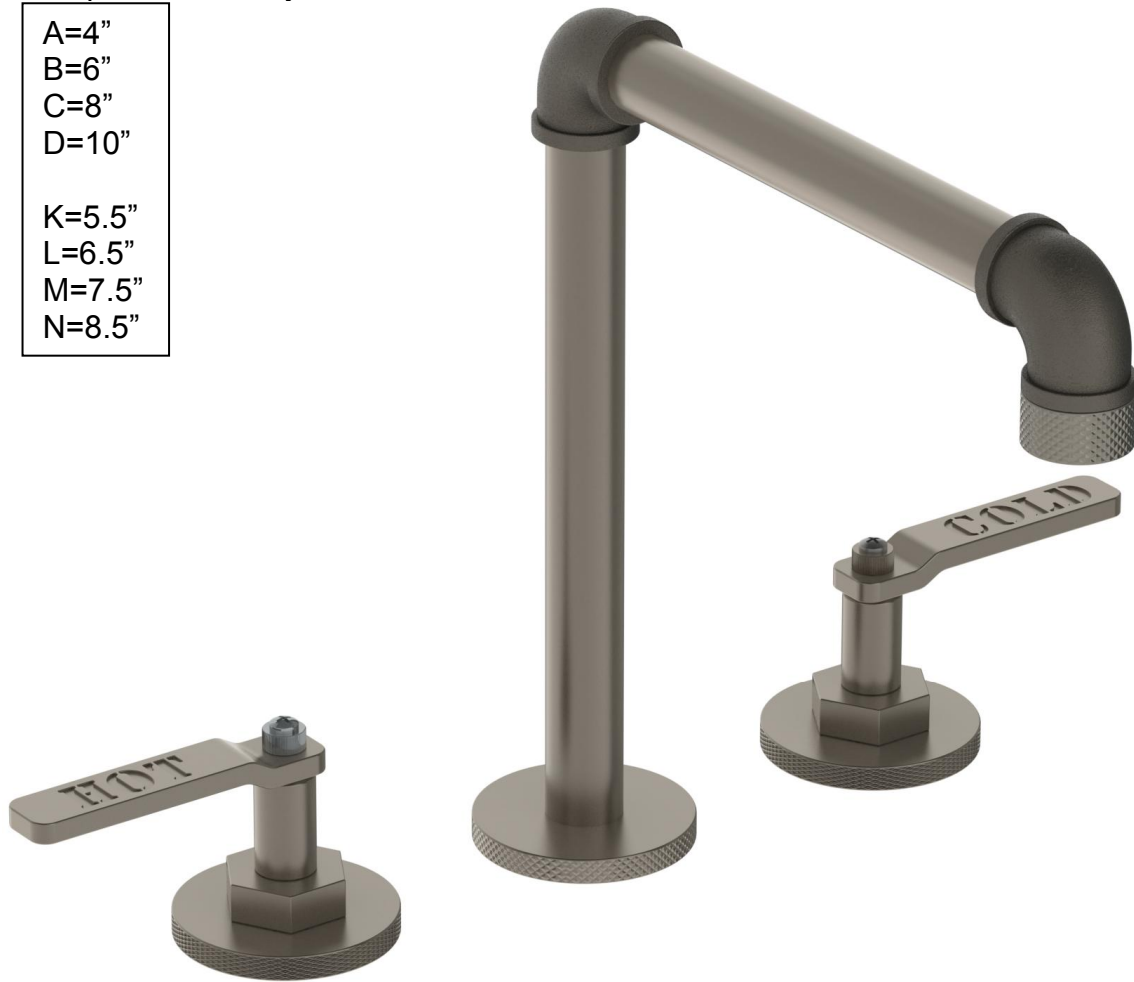


38-2- - -EV4

Widespread Lavatory Faucet

- A=4"
- B=6"
- C=8"
- D=10"

- K=5.5"
- L=6.5"
- M=7.5"
- N=8.5"



Meets the applicable requirements of ASME A112.18.1-2005/CSA B125.1-05, entitled "Plumbing Supply Fittings"

WATERMARK DESIGNS 11/3/2014

350 Dewitt Ave Brooklyn NY 11207 USA T 718 257 2800 F 718 257 2144 info@watermark-designs.com