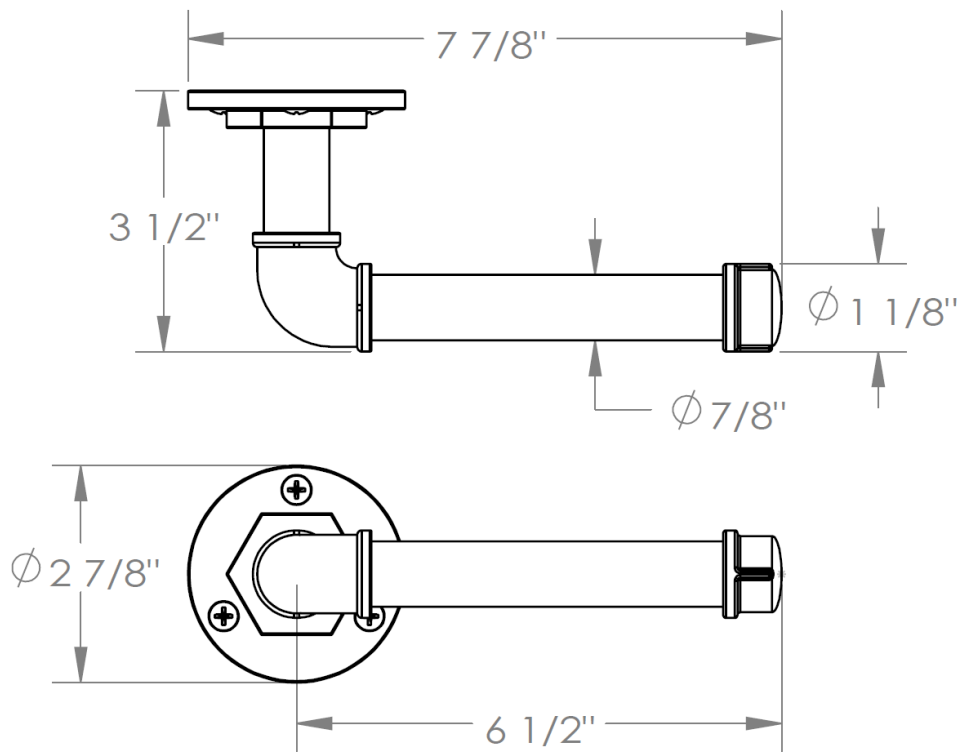


**38-0.4**  
Paper Holder



**WATERMARK** DESIGNS 1/12/2015