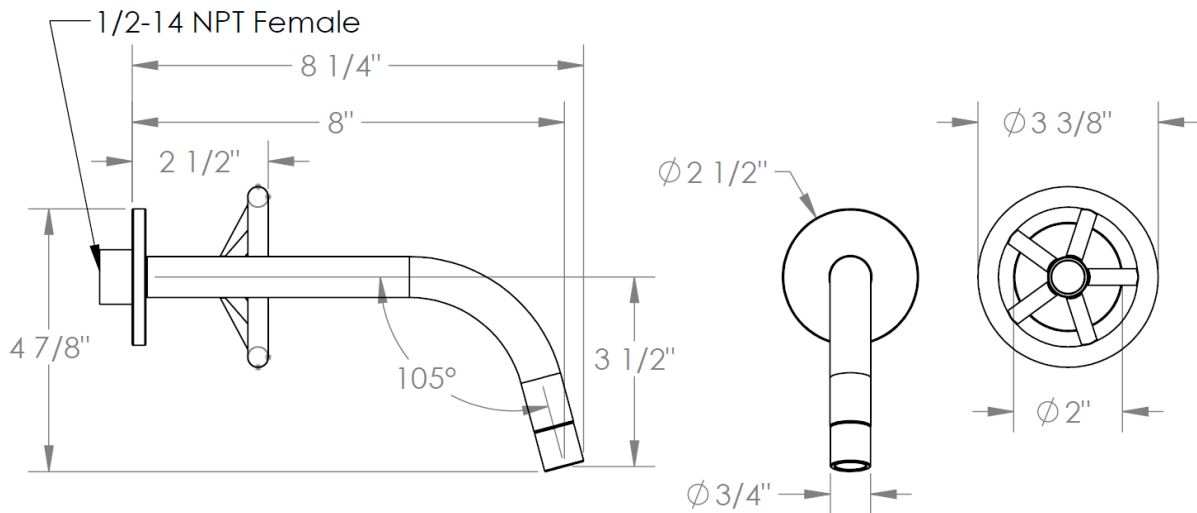


**31-1.2-BK**

Single Handle, Wall Mounted Lavatory



Meets the applicable requirements of ASME A112.18.1-2005/CSA B125.1-05, entitled "Plumbing Supply Fittings"

**WATERMARK DESIGNS 10/21/2015**

350 Dewitt Avenue Brooklyn NY 11207 USA T 718 257 2800 F 718 257 2144 info@watermark-designs.com