



## ACQUI COLUMN SPOUT WIDESPREAD LAVATORY FAUCET

ROHL Country Bath Collection

**A1409LM** (Metal Levers)

**A1409LP** (Porcelain Levers)

**A1409XM** (Cross Handles)

**A1409LC** (Swarovski® Crystal Levers)

**A1409XC** (Swarovski® Crystal Cross Handles)

### FEATURES

- 1/4-turn ceramic valves
- Solid brass
- 3 x 1 3/8" cutouts
- 6 5/16" spout reach
- 1/2" NPT connectors
- Matching tub filler A1404X and A1414
- Fixed spout
- 15 3/4" maximum spread distance between valves
- 1.2 GPM

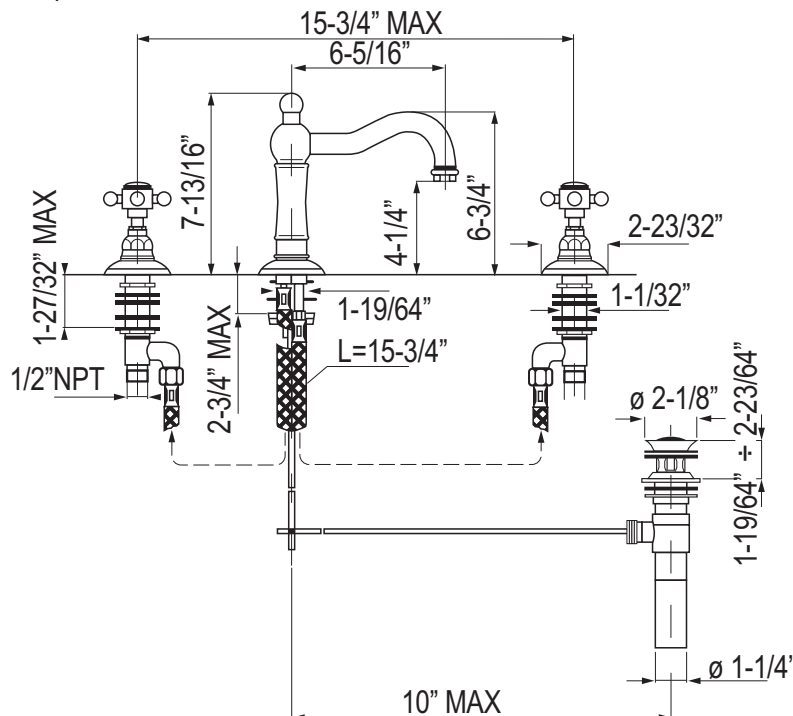
### COLORS/FINISHES

- Polished Chrome
- Polished Nickel
- Satin Nickel
- Tuscan Brass
- Inca Brass

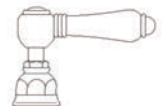
### WARRANTY

- Limited Lifetime\*

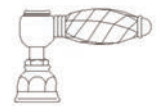
\* No Warranty on Tuscan Brass Finish TCB



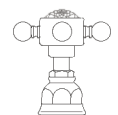
A1409XM



A1409LM & A1409LP

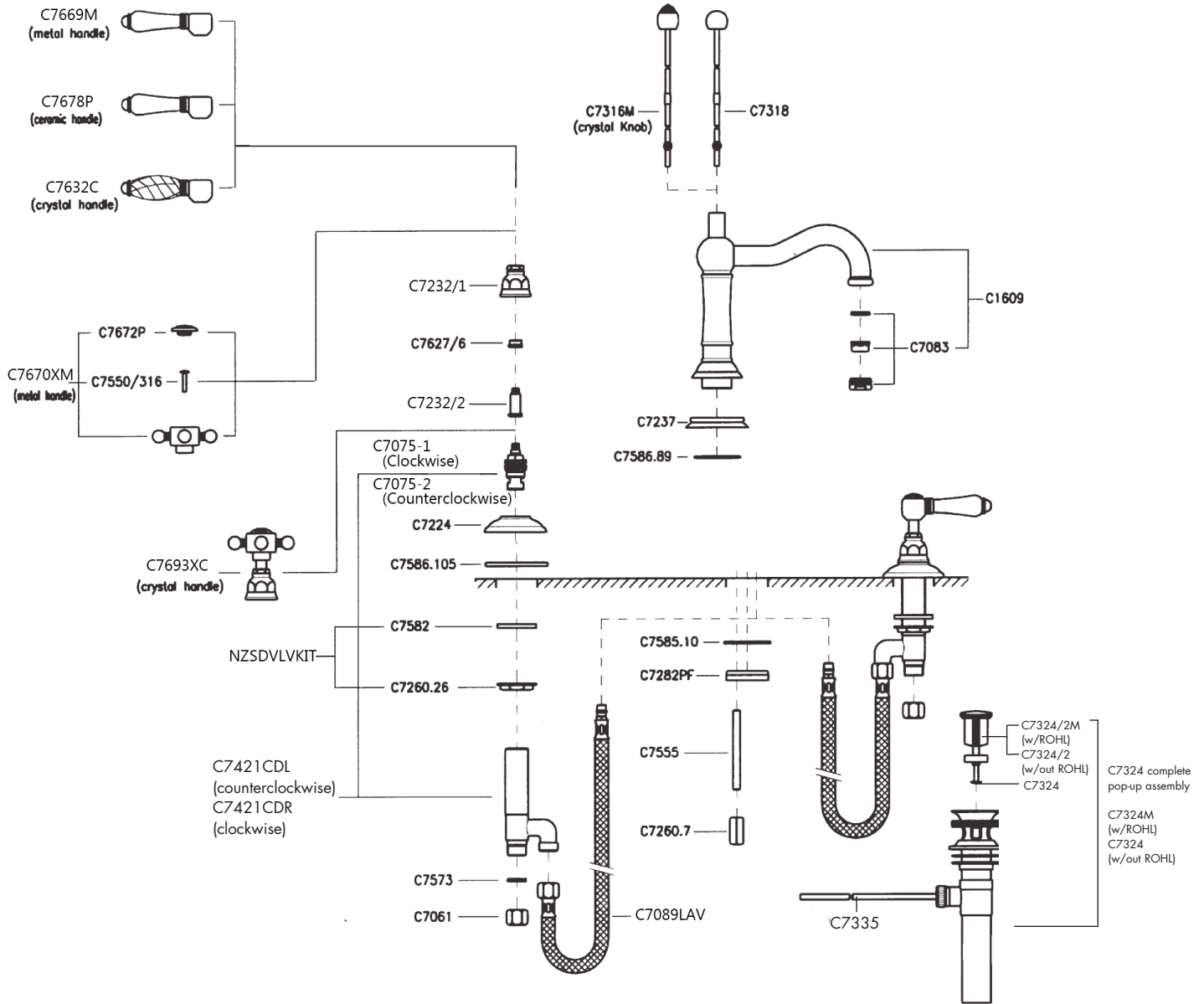


A1409LC



A1409XC

## A1409 Spare Parts



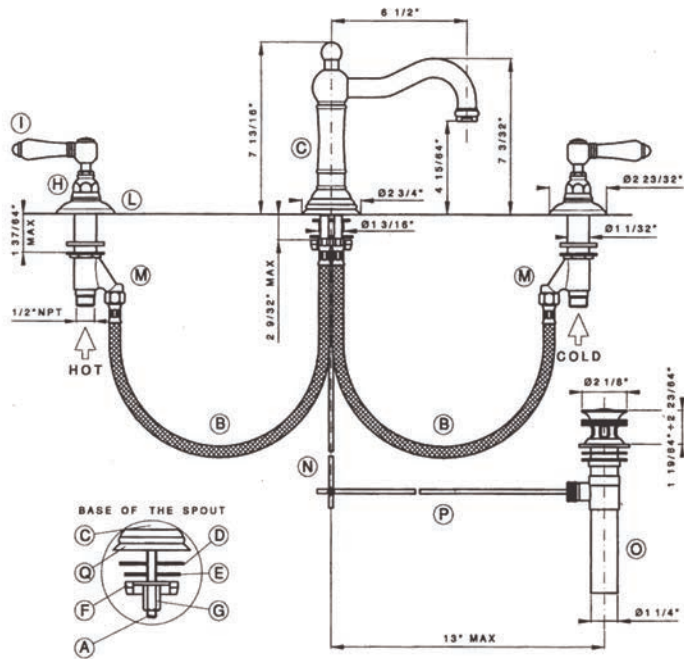
## Installation Instructions

### INSTALLATION AND CARE & MAINTENANCE GUIDE

#### Installation guide

Wash basin mixer  
with automatic  
pop-up waste

- Art. A1409X-- -2
- Art. A1409LC-- -2
- Art. A1409LM-- -2
- Art. A1409XM-- -2
- Art. A1409LP-- -2
- Art. A1409XC-- -2



## Installation Instructions

### a – Preparation

Flush out the pipework to remove any foreign matter.  
The hot supply should be on the left when viewed from the front of the fitting.

### b – Assembly

- Assemble the threaded pivot (A) and the flexible hoses (B) at the spout (C).
- Introduce the spout (C) in the central hole of the wash basin, placing before the base ring (Q) and then the rubber washer (D) between the ring (Q) and the wash basin.
- Fix the spout (C) placing, before the shaped rubber washer (E) and then the half-moon plate (F) and the lengthen nut (G).
- Unscrew the cover valve (H) and extract the handle set (I). Unscrew the cap (L).
- Assemble the valve body (M), placing before the nut and then the rubber washer.
- Introduce the valve body (M) in the hole of the wash basin and fix it, placing before the o-ring washer and then the cap (L).
- Assemble the handle set (I) screwing the cover valve (H). ATTENTION: Be sure that the handle has no play.
- Unscrew the cap (L) just to get in touch with the cover valve (H).
- Lock the valve body (M) underside with the brass fixing nut.

### A T T E N T I O N

**Maximum fixing nut torque value = 10 lbf.ft.**

- Repeat this procedure for the cold valve.
- Connect the side valves (M) to the nozzle using the flexible hoses (B).
- Introduce the rod (N) in the spout (C).
- Assemble the automatic pop-up waste (O). Introduce and fix it in the hole of the wash basin. Join the vertical rod (N) to the horizontal rod (P) using the double connector.
- Connect hot and cold water supplies to side valve inlet.
- Ensure all connections are firmly tightened.

### c – Before use

Turn on the Hot and Cold supplies to the faucet.  
Maximum temperature for Hot water supply to the faucet is 145° F.  
Minimum recommended pressure is 15 psi – Maximum recommended pressure is 75 psi.  
Check the installation carefully for leaks.  
If further building work is to be carried out in the vici of the faucet, it should be covered to prevent paint, adhesive, etc. from damaging the surface.

## Installation Instructions

# ATTENTION

### **READ THESE INSTRUCTIONS BEFORE INSTALLATION AND USE OF ALL FAUCETS AND WALL VALVES**

### **INSTALLATION and WARRANTY INSTRUCTIONS TECHNICAL INFORMATION**

All flexible hoses are designed and manufactured for use with water in exposed locations only. **Do not expose** to household cleaners, chlorine, chloride, hydrochloric acid or other corrosive chemicals.

- All connections with threads M10x1 male must be hand tighten. **Do not over tighten. Over tightening may cause damage to the hose.**

All faucets washers and o-rings are designed and manufactured for use with water. **Do not expose** to household cleaners, chlorine, chloride, hydrochloric acid or other corrosive chemicals.

Faucets are designed for use with the temperatures and pressures listed below:

- minimum cold water supply 50 °F
- maximum hot water supply 145 °F
- minimum pressure 15 psi
- maximum pressure 75 psi
- maximum fixing torque value = 10 lbf.ft.
- 

**Please note:** The recommended best pressure for best performance is between 40 psi and 60 psi. More pressure than 60 psi or less pressure than 40 psi may affect the diverting action in side spray faucets.

- Do not use any Rohl Country/ Nicolazzi faucet with sulphorous water.
- The minimum temperature for all faucets is 50 degrees F. Below 50 degrees F will void the warranty.
- When available, filter systems must be placed between hot and cold supply lines and the faucet. Improper use or non-use of filters may make diverting faucets with hand sprays perform poorly.
- Don't modify faucet and their components
- Use only original spare parts if there are replacements to be ordered.
- Installation must be made by authorized plumbers or installers. Improper installation or diagnosis of problems is not covered by the warranty.
- Yearly maintenance of cleaning and flushing is recommended.

**Operation and use of any faucet or wall valve that do not conform to these technical instructions will void the warranty.**