

**115-8.8STP-MZ5**

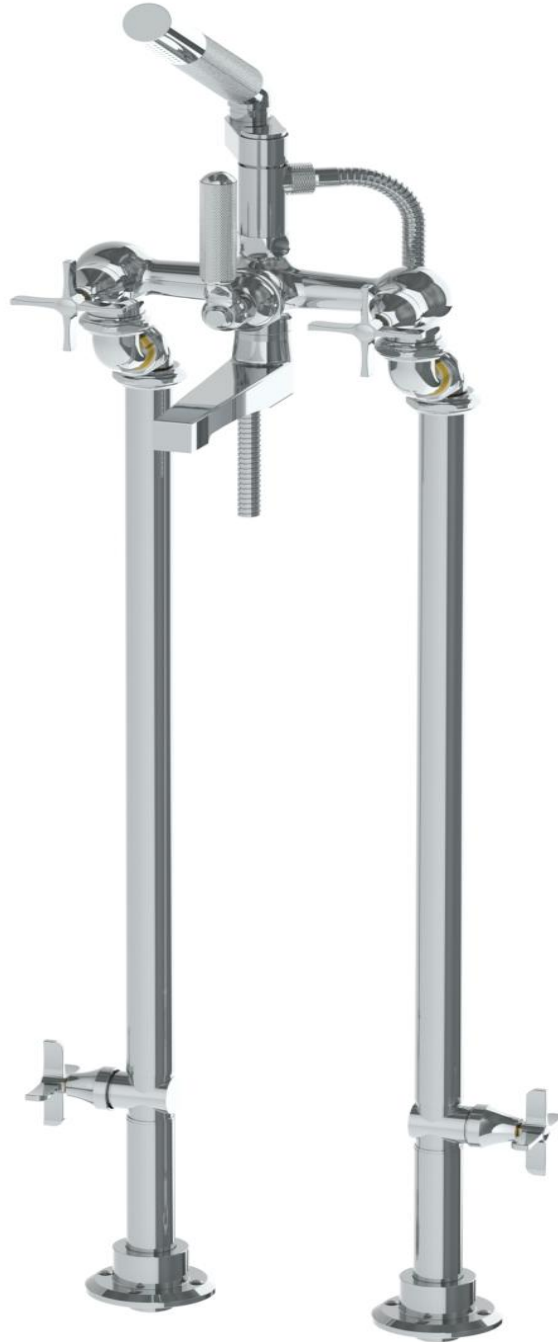
Floor Mounted Elevated Tub Filler & Hand Shower

Includes SH-HIL30 Hand Shower

6.5 GPM @ 45 PSI (Tub)

1.5 GPM (Handshower)

Note: Some building codes may require a remote pressure balancing valve, such as the SS-PB50.



Meets the applicable requirements of ASME A112.18.1-2005/CSA B125.1-05, entitled "Plumbing Supply Fittings"

**WATERMARK DESIGNS 11/1/2016**

350 Dewitt Ave Brooklyn NY 11207 USA T 718 257 2800 F 718 257 2144 info@watermark-designs.com

**115-8.8STP-MZ5**

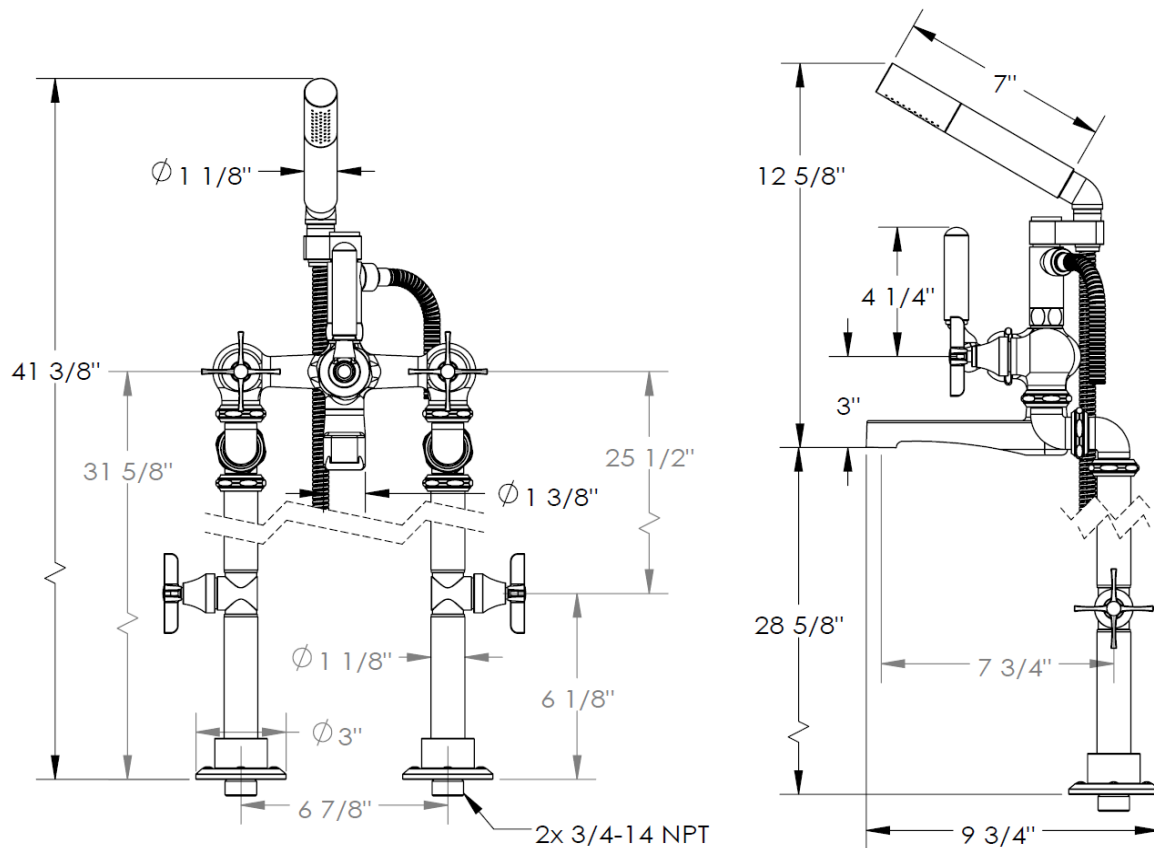
Floor Mounted Elevated Tub Filler & Hand Shower

Includes SH-HIL30 Hand Shower

6.5 GPM @ 45 PSI (Tub)

1.5 GPM (Handshower)

Note: Some building codes may require a remote pressure balancing valve, such as the SS-PB50.



Meets the applicable requirements of ASME A112.18.1-2005/CSA B125.1-05, entitled "Plumbing Supply Fittings"